
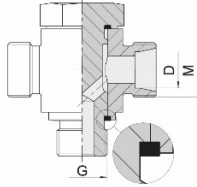


**Přípojky DIN2353**

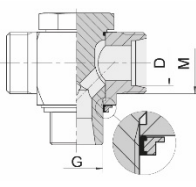
## TH – BE / ME



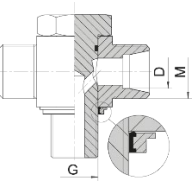
Typ 1



Typ 2



Typ 3



Typ  
přípojného  
závitů G:

## BSP / METRICKÝ

**Přípojka BANJO**

Způsob utěsnění a koeficient bezpečnosti:  
elastomerové těsnění NBR v pravouhlé  
drážce DIN 3852-E (typ 1)  
(koeficient 4:1)  
těsnění gumo - kov (typ 2 a 3), NBR nebo  
viton  
(koeficient 2,5:1)

řada	D [mm]	M [mm]	G	pozinkovaná ocel (typ 1, NBR)		pozinkovaná ocel Zn-Ni (typ 2, NBR)		pozinkovaná ocel Guardian Seal®		nerezová ocel AISI 316 (typ 3, viton)	
				index	P [bar]	index	P [bar]	index	P [bar]	index	P [bar]
L	6	12x1,5	1/8"	HD-TH-06L-BE-02	315	HD-TH-06L-BE-02-CN	500	-	-	HD-TH-06L-BE-02-SS	500
	8	14x1,5	1/4"	HD-TH-08L-BE-04	315	HD-TH-08L-BE-04-CN	500	-	-	HD-TH-08L-BE-04-SS	400
	10	16x1,5	1/4"	HD-TH-10L-BE-04	315	HD-TH-10L-BE-04-CN	500	-	-	HD-TH-10L-BE-04-SS	350
	12	18x1,5	3/8"	HD-TH-12L-BE-06	315	HD-TH-12L-BE-06-CN	400	-	-	HD-TH-12L-BE-06-SS	350
	15	22x1,5	1/2"	HD-TH-15L-BE-08	315	HD-TH-15L-BE-08-CN	400	-	-	HD-TH-15L-BE-08-SS	315
	18	26x1,5	1/2"	HD-TH-18L-BE-08	315	HD-TH-18L-BE-08-CN	400	-	-	HD-TH-18L-BE-08-SS	315
	22	30x2	3/4"	HD-TH-22L-BE-12	160	HD-TH-22L-BE-12-CN	250	-	-	HD-TH-22L-BE-12-SS	200
	28	36x2	1"	HD-TH-28L-BE-16	160	HD-TH-28L-BE-16-CN	250	-	-	HD-TH-28L-BE-16-SS	200
	35	45x2	1.1/4"	HD-TH-35L-BE-20	160	HD-TH-35L-BE-20-CN	250	-	-	HD-TH-35L-BE-20-SS	200
42	52x2	1.1/2"	HD-TH-42L-BE-24	160	-	-	-	-	HD-TH-42L-BE-24-SS	200	

S	6	14x1,5	1/4"	HD-TH-06S-BE-04	400	HD-TH-06S-BE-04-CN	500	-	-	HD-TH-06S-BE-04-SS	500
	8	16x1,5	1/4"	HD-TH-08S-BE-04	400	HD-TH-08S-BE-04-CN	500	-	-	HD-TH-08S-BE-04-SS	450
	10	18x1,5	3/8"	HD-TH-10S-BE-06	400	HD-TH-10S-BE-06-CN	500	-	-	HD-TH-10S-BE-06-SS	400
	12	20x1,5	3/8"	HD-TH-12S-BE-06	400	HD-TH-12S-BE-06-CN	400	-	-	HD-TH-12S-BE-06-SS	400
	14	22x1,5	1/2"	HD-TH-14S-BE-08	315	HD-TH-14S-BE-08-CN	400	-	-	HD-TH-14S-BE-08-SS	400
	16	24x1,5	1/2"	HD-TH-16S-BE-08	315	HD-TH-16S-BE-08-CN	400	-	-	HD-TH-16S-BE-08-SS	400
	20	30x2	3/4"	HD-TH-20S-BE-12	250	HD-TH-20S-BE-12-CN	315	-	-	HD-TH-20S-BE-12-SS	400
	25	36x2	1"	HD-TH-25S-BE-16	250	HD-TH-25S-BE-16-CN	250	-	-	HD-TH-25S-BE-16-SS	250
	30	42x2	1.1/4"	HD-TH-30S-BE-20	250	-	-	-	-	HD-TH-30S-BE-20-SS	250
38	52x2	1.1/2"	HD-TH-38S-BE-24	200	-	-	-	-	HD-TH-38S-BE-24-SS	250	

řada	D [mm]	M [mm]	G	pozinkovaná ocel (typ 1, NBR)		pozinkovaná ocel Zn-Ni (typ 2, NBR)		pozinkovaná ocel Guardian Seal®		nerezová ocel AISI 316 (typ 3, viton)	
				index	P [bar]	index	P [bar]	index	P [bar]	index	P [bar]
L	6	12x1,5	10x1	HD-TH-06L-ME-10	315	HD-TH-06L-ME-10-CN	500	-	-	HD-TH-06L-ME-10-SS	500
	8	14x1,5	12x1,5	HD-TH-08L-ME-12	315	HD-TH-08L-ME-12-CN	500	-	-	HD-TH-08L-ME-12-SS	400
	10	16x1,5	14x1,5	HD-TH-10L-ME-14	315	HD-TH-10L-ME-14-CN	500	-	-	HD-TH-10L-ME-14-SS	350
	12	18x1,5	16x1,5	HD-TH-12L-ME-16	315	HD-TH-12L-ME-16-CN	400	-	-	HD-TH-12L-ME-16-SS	350
	15	22x1,5	18x1,5	HD-TH-15L-ME-18	315	HD-TH-15L-ME-18-CN	400	-	-	HD-TH-15L-ME-18-SS	400
	18	26x1,5	22x1,5	HD-TH-18L-ME-22	315	HD-TH-18L-ME-22-CN	400	-	-	HD-TH-18L-ME-22-SS	400
	22	30x2	26x1,5	HD-TH-22L-ME-26	160	HD-TH-22L-ME-26-CN	250	-	-	HD-TH-22L-ME-26-SS	200
	28	36x2	33x2	HD-TH-28L-ME-33	160	HD-TH-28L-ME-33-CN	250	-	-	HD-TH-28L-ME-33-SS	200
	35	45x2	42x2	HD-TH-35L-ME-42	160	-	-	-	-	HD-TH-35L-ME-42-SS	200
42	52x2	48x2	HD-TH-42L-ME-48	160	-	-	-	-	HD-TH-42L-ME-48-SS	200	

S	6	14x1,5	12x1,5	HD-TH-06S-ME-12	400	HD-TH-06S-ME-12-CN	500	-	-	HD-TH-06S-ME-12-SS	500
	8	16x1,5	14x1,5	HD-TH-08S-ME-14	400	HD-TH-08S-ME-14-CN	500	-	-	HD-TH-08S-ME-14-SS	450
	10	18x1,5	16x1,5	HD-TH-10S-ME-16	400	HD-TH-10S-ME-16-CN	500	-	-	HD-TH-10S-ME-16-SS	500
	12	20x1,5	18x1,5	HD-TH-12S-ME-18	400	HD-TH-12S-ME-18-CN	400	-	-	HD-TH-12S-ME-18-SS	400
	14	22x1,5	20x1,5	HD-TH-14S-ME-20	315	-	-	-	-	-	-
	16	24x1,5	22x1,5	HD-TH-16S-ME-22	315	HD-TH-16S-ME-22-CN	400	-	-	HD-TH-16S-ME-22-SS	400
	20	30x2	27x2	HD-TH-20S-ME-27	250	HD-TH-20S-ME-27-CN	315	-	-	HD-TH-20S-ME-27-SS	400
	25	36x2	33x2	HD-TH-25S-ME-33	250	-	-	-	-	HD-TH-25S-ME-33-SS	250
	30	42x2	42x2	HD-TH-30S-ME-42	250	-	-	-	-	HD-TH-30S-ME-42-SS	250
38	52x2	48x2	HD-TH-38S-ME-48	200	HD-TH-38S-ME-48-CN	250	-	-	HD-TH-38S-ME-48-SS	250	