
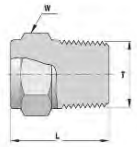

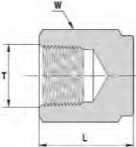

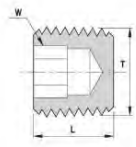

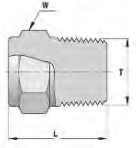

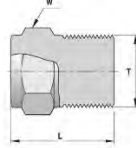

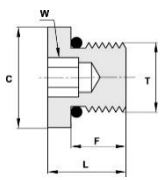

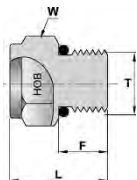


Přesné závitové spojky - zátky a záslepky

velikost závitů	Zátka GZ NPT (šestihhranná)			Záslepka GW NPT (šestihhranná)			Zátka GZ NPT (vnitřní šestihhran)		
									
T [palec]	index (AISI 316)	L [mm]	V [palec]	index (AISI 316)	L [mm]	V [palec]	index (AISI 316)	L [mm]	V [palec]
1/16	HM-P121H-01-SS	19.0	5/16	-	-	-	-	-	-
1/8	HM-P121H-02-SS	19.0	7/16	HM-P108H-02-SS	19.1	9/16	HM-P107H-02-SS	7.4	3/16
1/4	HM-P121H-04-SS	24.4	9/16	HM-P108H-04-SS	23.1	3/4	HM-P107H-04-SS	11.3	1/4
3/8	HM-P121H-06-SS	25.2	11/16	HM-P108H-06-SS	26.2	7/8	HM-P107H-06-SS	11.3	5/16
1/2	HM-P121H-08-SS	30.7	7/8	HM-P108H-08-SS	34.0	1.1 / 16	HM-P107H-08-SS	15.5	3/8
3/4	HM-P121H-12-SS	30.7	1.1 / 16	HM-P108H-12-SS	36.6	1.5 / 16	-	-	-
1	HM-P121H-16-SS	38.1	1.3 / 8	HM-P108H-16-SS	41.1	1.5 / 8	-	-	-

velikost závitů	Zátka GZ BSPT (šestihhranná)				Zátka GZ BSP (šestihhranná)			
								
T [palec]	index (AISI 316)	L [mm]	V [palec]	index (AISI 316)	L [mm]	V [palec]		
1/8	HM-P121HR-02-SS	19.0	7/16	HM-P121HG-02-SS	19.0	7/16		
1/4	HM-P121HR-04-SS	24.4	9/16	HM-P121HG-04-SS	24.4	9/16		
3/8	HM-P121HR-06-SS	25.2	11/16	-	-	-		
1/2	HM-P121HR-08-SS	30.7	7/8	HM-P121HG-08-SS	30.7	7/8		
3/4	HM-P121HR-12-SS	30.7	1.1 / 16	-	-	-		
1	HM-P121HR-16-SS	38.1	1.3 / 8	HM-P121HG-16-SS	38.1	1.3 / 8		

velikost závitů	Zátka GZ UN (hex) (SAE / MS BOSS)						Zátka GZ UN (šestihhranná) (SAE / MS BOSS)			
										
T [palec]	index (AISI 316, o-kroužek FKM 90)	L [mm]	C [mm]	F [mm]	V [palec]	index (AISI 316, o-kroužek FKM 90)	L [mm]	F [mm]	V [palec]	
5 / 16-24	-	-	-	-	-	HM-P121HOB-05-SS	17.8	7.6	7/16	
7 / 16-20	HM-P107HOB-07-SS	11.4	14.2	9.1	3/16	HM-P121HOB-07-SS	19.3	9.1	9/16	
1 / 2-20	HM-P107HOB-08-SS	11.4	15.9	9.1	3/16	-	-	-	-	
9 / 16-18	HM-P107HOB-09-SS	12.2	17.5	9.9	1/4	HM-P121HOB-09-SS	20.8	9.9	11/16	
3 / 4-16	HM-P107HOB-12-SS	14.2	22.4	11.2	5/16	HM-P121HOB-12-SS	22.6	11.2	7/8	
7 / 8-14	-	-	-	-	-	HM-P121HOB-14-SS	~	~	~	
1.1 / 16-12	-	-	-	-	-	HM-P121HOB-17-SS	28.4	15.0	1.1 / 4	
1.5 / 16-12	-	-	-	-	-	HM-P121HOB-21-SS	30.0	15.0	1.1 / 2	