
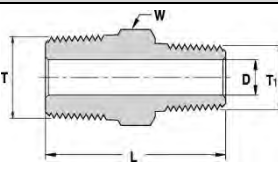


**Přesné závitové spojky - niply (2)**

velikost závitů	Dlouhý nipl GZ NPT				Krátký kulatý nipl GZ NPT			Nipl GZ BSPT			
											
T [palec]	index (AISI 316)	L [mm]	D [mm]	V [palec]	index (AISI 316)	L [mm]	D [mm]	index (AISI 316)	L [mm]	D [mm]	V [palec]
1/8	HM-P113H-02-SS-1.5	38.1	4.8	7/16	HM-P122HCN-02-SS	19.1	4.8	HM-P122HR-02-SS	25.6	9.7	7/16
1/8	HM-P113H-02-SS-2	50.8	4.8	7/16	-	-	-	-	-	-	-
1/8	HM-P113H-02-SS-3	76.2	4.8	7/16	-	-	-	-	-	-	-
1/4	HM-P113H-04-SS-1.5	38.1	7.1	9/16	HM-P122HCN-04-SS	28.4	7.1	HM-P122HR-04-SS	35.6	14.2	9/16
1/4	HM-P113H-04-SS-2	50.8	7.1	9/16	-	-	-	-	-	-	-
1/4	HM-P113H-04-SS-2.5	63.5	7.1	9/16	-	-	-	-	-	-	-
1/4	HM-P113H-04-SS-3	76.2	7.1	9/16	-	-	-	-	-	-	-
1/4	HM-P113H-04-SS-4	101.6	7.1	9/16	-	-	-	-	-	-	-
1/4	HM-P113H-04-SS-5	127.0	7.1	9/16	-	-	-	-	-	-	-
1/4	HM-P113H-04-SS-6	152.4	7.1	9/16	-	-	-	-	-	-	-
3/8	HM-P113H-06-SS-2	50.8	9.6	11/16	HM-P122HCN-06-SS	28.4	9.6	HM-P122HR-06-SS	36.3	14.2	11/16
3/8	HM-P113H-06-SS-3	76.2	9.6	11/16	-	-	-	-	-	-	-
3/8	HM-P113H-06-SS-4	101.6	9.6	11/16	-	-	-	-	-	-	-
1/2	HM-P113H-08-SS-2	50.8	11.9	7/8	HM-P122HCN-08-SS	38.1	11.9	HM-P122HR-08-SS	46.7	19.0	7/8
1/2	HM-P113H-08-SS-2.5	63.5	11.9	7/8	-	-	-	-	-	-	-
1/2	HM-P113H-08-SS-3	76.2	11.9	7/8	-	-	-	-	-	-	-
1/2	HM-P113H-08-SS-4	101.6	11.9	7/8	-	-	-	-	-	-	-
1/2	HM-P113H-08-SS-5	127.0	11.9	7/8	-	-	-	-	-	-	-
1/2	HM-P113H-08-SS-6	152.4	11.9	7/8	-	-	-	-	-	-	-
3/4	HM-P113H-12-SS-2	50.8	15.8	1.1/16	HM-P122HCN-12-SS	38.1	15.7	HM-P122HR-12-SS	46.7	19.0	1.1/16
3/4	HM-P113H-12-SS-3	76.2	15.8	1.1/16	-	-	-	-	-	-	-
3/4	HM-P113H-12-SS-4	101.6	15.8	1.1/16	-	-	-	-	-	-	-
1	HM-P113H-16-SS-3	76.2	22.4	1.3/8	HM-P122HCN-16-SS	47.8	22.4	HM-P122HR-16-SS	58.9	23.9	1.3/8
1	HM-P113H-16-SS-4	101.6	22.4	1.3/8	-	-	-	-	-	-	-

velikost závitů	Redukční nipl GZ NPT				
					
T [palec]	T <sub>1</sub> [palec]	index (AISI 316)	L [mm]	D [mm]	V [palec]
1/8	1/16	HM-P123H-02-01-SS	25.7	3.0	7/16
1/4	1/8	HM-P123H-04-02-SS	31.0	4.8	9/16
3/8	1/8	HM-P123H-06-02-SS	31.8	4.8	11/16
3/8	1/4	HM-P123H-06-04-SS	36.3	7.1	11/16
1/2	1/8	HM-P123H-08-02-SS	37.3	4.8	7/8
1/2	1/4	HM-P123H-08-04-SS	41.9	7.1	7/8
1/2	3/8	HM-P123H-08-06-SS	41.9	9.6	7/8
3/4	1/4	HM-P123H-12-04-SS	41.9	7.1	1.1/16
3/4	3/8	HM-P123H-12-06-SS	~	9.6	1.1/16
3/4	1/2	HM-P123H-12-08-SS	46.7	11.9	1.1/16
1	1/4	HM-P123H-16-04-SS	~	7.1	1.3/8
1	3/8	HM-P123H-16-06-SS	~	9.6	1.3/8
1	1/2	HM-P123H-16-08-SS	54.1	11.9	1.3/8
1	3/4	HM-P123H-16-12-SS	54.1	15.8	1.3/8