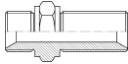


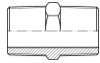
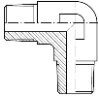
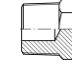
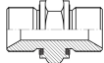






**Adaptéry BSP**

rozměr závitů [coul]	GZ BSP (kužel 60°) / GZ BSP (kužel 60°) přepážkový		GW BSP
			
	index (pozink. ocel)	index (pozink. ocel)	index (pozink. ocel)
1/8"	TI-A107-02	TI-A107K-02*	TI-A108-02*
1/4"	TI-A107-04*	TI-A107K-04*	TI-A108-04*
3/8"	TI-A107-06*	TI-A107K-06*	TI-A108-06*
1/2"	TI-A107-08*	TI-A107K-08*	TI-A108-08*
5/8"	TI-A107-10	TI-A107K-10*	TI-A108-10*
3/4"	TI-A107-12*	TI-A107K-12*	TI-A108-12*
1"	TI-A107-16*	TI-A107K-16*	TI-A108-16*
1.1/4"	TI-A107-20*	TI-A107K-20*	TI-A108-20*
1.1/2"	TI-A107-24*	TI-A107K-24*	TI-A108-24*
2"	TI-A107-32*	TI-A107K-32*	TI-A108-32*

rozměr závitů [coul]	rozměr závitů [coul]	GZ BSPT			GZ BSP (těsn. typ E)
					
		index (pozink. ocel)	index (pozink. ocel)	index (pozink. ocel)	index (pozink. ocel NBR)
1/8"	1/8"	TI-A101T-02-02*	TI-A116T-02	TI-A113T-02*	TI-A101E-02-02**
1/4"	1/4"	TI-A101T-04-04*	TI-A116T-04	TI-A113T-04*	TI-A101E-04-04**
3/8"	1/4"	TI-A101T-06-04*	-	TI-A113T-06*	TI-A101E-06-04**
3/8"	3/8"	TI-A101T-06-06*	TI-A116T-06	TI-A113T-08*	TI-A101E-06-06**
1/2"	1/4"	-	-	-	TI-A101E-08-04**
1/2"	3/8"	TI-A101T-08-06*	-	-	TI-A101E-08-06**
1/2"	1/2"	TI-A101T-08-08*	TI-A116T-08	TI-A113T-12*	TI-A101E-08-08**
3/4"	1/2"	TI-A101T-12-08*	-	TI-A113T-16*	TI-A101E-12-08**
3/4"	3/4"	TI-A101T-12-12*	TI-A116T-12	TI-A113T-20*	TI-A101E-12-12**
1"	3/4"	TI-A101T-16-12*	-	TI-A113T-24*	TI-A101E-16-12**
1"	1"	TI-A101T-16-16*	TI-A116T-16	TI-A113T-32*	TI-A101E-16-16**
1.1/4"	1.1/4"	TI-A101T-20-20*	-	-	-
1.1/2"	1.1/2"	TI-A101T-24-24*	-	-	-
2"	2"	TI-A101T-32-32*	-	-	-

rozměr vnitřního závitů [coul]	rozměr vnitřního závitů [coul]	GZ BSPT / GW BSP		GZ BSPT / GW BSP (kužel 60°)	
					
		index (pozink. ocel)	index (pozink. ocel)	index (pozink. ocel)	index (pozink. ocel)
1/8"	1/8"	TI-A103T-02-02	TI-A104T-02-02*	-	-
1/8"	1/4"	TI-A103T-02-04	-	-	-
1/4"	1/4"	TI-A103T-04-04	TI-A104T-04-04*	-	TI-A114T-04
1/4"	3/8"	TI-A103T-04-06	-	-	-
3/8"	3/8"	TI-A103T-06-06	TI-A104T-06-06*	-	TI-A114T-06
3/8"	1/2"	TI-A103T-06-08	TI-A104T-06-08	-	-
1/2"	3/8"	-	TI-A104T-08-06	-	-
1/2"	1/2"	TI-A103T-08-08	TI-A104T-08-08*	-	TI-A114T-08
1/2"	3/4"	TI-A103T-08-12	-	-	-
3/4"	3/4"	TI-A103T-12-12	TI-A104T-12-12*	-	TI-A114T-12
3/4"	1"	TI-A103T-12-16	-	-	TI-A114T-16
1"	1"	TI-A103T-16-16	TI-A104T-16-16*	-	-
1"	1.1/4"	TI-A103T-16-20	-	-	-
1.1/4"	1.1/4"	-	TI-A104T-20-20*	-	-

\* - dostupné rovněž z nerezí AISI 316 (-SS na konci indexu)

\*\* - možné těsnění na kuželu 60°, dostupné rovněž z nerezí AISI 316, těsn. viton (-SS na konci indexu)