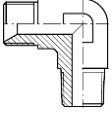
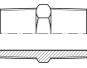

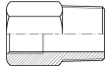

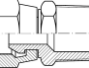



Adaptéry BSP / NPT

rozměr závitu BSP [coul]	rozměr závitu NPT [coul]	GZ BSP (kužel 60°) / GZ NPT		GZ BSP (kužel 60°) / GW NPT			
							
		index (pozink. ocel)		index (pozink. ocel)		index (pozink. ocel)	
1/8"	1/8"	TI-A202-02-02*		TI-A206-02-02*		TI-A203-02-02*	
1/8"	1/4"	TI-A202-02-04*		-		TI-A203-02-04*	
1/4"	1/8"	TI-A202-04-02*		TI-A206-04-02		-	
1/4"	1/4"	TI-A202-04-04*		TI-A206-04-04*		TI-A203-04-04*	
1/4"	3/8"	TI-A202-04-06*		-		TI-A203-04-06*	
1/4"	1/2"	TI-A202-04-08*		-		-	
3/8"	1/4"	TI-A202-06-04*		TI-A206-06-04		TI-A203-06-04*	
3/8"	3/8"	TI-A202-06-06*		TI-A206-06-06*		TI-A203-06-06*	
3/8"	1/2"	TI-A202-06-08*		TI-A206-06-08		-	
3/8"	3/4"	TI-A202-06-12*		-		-	
1/2"	1/4"	TI-A202-08-04*		-		TI-A203-08-04*	
1/2"	3/8"	TI-A202-08-06*		TI-A206-08-06		TI-A203-08-06*	
1/2"	1/2"	TI-A202-08-08*		TI-A206-08-08*		TI-A203-08-08*	
1/2"	3/4"	TI-A202-08-12*		-		-	
1/2"	1"	TI-A202-08-16*		-		-	
5/8"	1/2"	TI-A202-10-08		-		-	
5/8"	3/4"	TI-A202-10-12*		-		-	
3/4"	3/8"	TI-A202-12-06*		-		-	
3/4"	1/2"	TI-A202-12-08*		TI-A206-12-08		-	
3/4"	3/4"	TI-A202-12-12*		TI-A206-12-12*		TI-A203-12-12*	
3/4"	1"	TI-A202-12-16*		-		-	
1"	1/2"	TI-A202-16-08*		-		-	
1"	3/4"	TI-A202-16-12*		-		-	
1"	1"	TI-A202-16-16*		TI-A206-16-16*		TI-A203-16-16*	
1"	1.1/4"	TI-A202-16-20*		-		-	
1.1/4"	1"	TI-A202-20-16*		-		-	
1.1/4"	1.1/4"	TI-A202-20-20*		TI-A206-20-20*		TI-A203-20-20*	
1.1/4"	1.1/2"	TI-A202-20-24*		-		-	
1.1/2"	1.1/4"	TI-A202-24-20*		-		-	
1.1/2"	1.1/2"	TI-A202-24-24*		TI-A206-24-24*		TI-A203-24-24*	
1.1/2"	2"	TI-A202-24-32*		-		-	
2"	1.1/2"	TI-A202-32-24*		-		-	
2"	2"	TI-A202-32-32*		TI-A206-32-32*		TI-A203-32-32*	
2.1/2"	2.1/2"	TI-A202-40-40		-		-	

rozměr závitu BSP(T) [coul]	rozměr závitu NPT [coul]	GZ BSPT / GZ NPT		GW BSP / GZ NPT		GW BSP (kužel 60°) / GZ NPT	
							
		index (pozink. ocel)		index (pozink. ocel)		index (pozink. ocel)	
1/8"	1/8"	TI-A201-02-02		TI-A205-02-02*		-	
1/8"	1/4"	-		TI-A205-02-04*		-	
1/8"	3/8"	-		TI-A205-02-06		-	
1/4"	1/4"	TI-A201-04-04		TI-A205-04-04*		TI-A204-04-04*	
1/4"	3/8"	TI-A201-04-06		TI-A205-04-06*		TI-A204-04-06*	
1/4"	1/2"	-		TI-A205-04-08		-	
3/8"	1/4"	TI-A201-06-04		-		TI-A204-06-04*	
3/8"	3/8"	TI-A201-06-06		TI-A205-06-06*		TI-A204-06-06*	
3/8"	1/2"	-		TI-A205-06-08*		TI-A204-06-08*	
1/2"	3/8"	-		-		TI-A204-08-06*	
1/2"	1/2"	TI-A201-08-08		TI-A205-08-08*		TI-A204-08-08*	
1/2"	1"	-		TI-A205-08-16*		-	
3/4"	3/4"	TI-A201-12-12		TI-A205-12-12*		TI-A204-12-12*	
1"	3/4"	TI-A201-16-12		-		-	
1"	1"	TI-A201-16-16		TI-A205-16-16*		TI-A204-16-16*	
1.1/4"	1.1/4"	TI-A201-20-20		TI-A205-20-20*		-	
1.1/2"	1.1/2"	TI-A201-24-24		TI-A205-24-24*		-	
2"	2"	TI-A201-32-32		TI-A205-32-32*		-	

* - dostupné rovněž z nerezí AISI 316 (-SS na konci indexu)