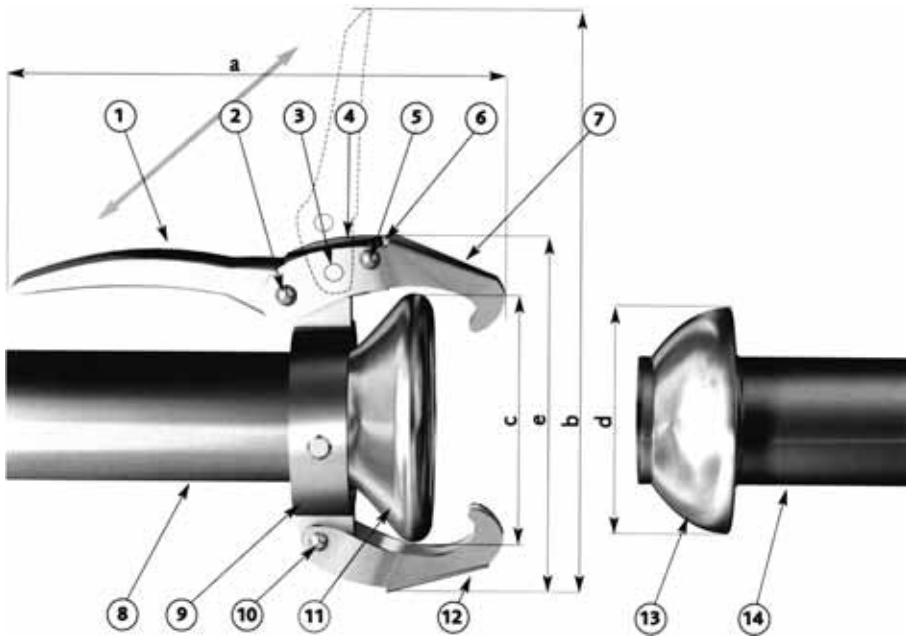


INDUSTRIAL FITTINGS - couplings

Lever couplings LAUX 42

LAUX 42 couplings due to their simple, robust and reliable construction are widely used in:

- chemical and paper industry as reloading couplings,
- in waste water transport trucks,
- for transfer and reloading of loose materials (grain, flour, animal feed, granules, cement, minerals),
- for temporary water and air installations in such industries as construction, mining, agriculture, etc.
- for pressure and vacuum pumps,
- irrigation systems.



- 1 - lever
- 2 - rivet for over hook
- 3 - rivet for under hook
- 4 - lock
- 5 - rivet for lock
- 6 - spring for lock
- 7 - over hook
- 8 - pipe
- 9 - ring
- 10 - rivet for under hook
- 11 - female part
- 12 - under hook
- 13 - male part
- 14 - pipe

Max. working pressure

- for liquids 12.5 bar
- for air 8 bar
- vacuum-tight

Seals:

- EPDM from -50°C up to +120°C
- NBR from -40°C up to +100°C
- Viton from -30°C up to +250°C
- silicone from -70°C up to +250°C

EPDM seal is used as a standard.


size	a	b	c	d	e
38	186	230	72	67	105
48	240	295	104	100	155
60	240	305	115	109	165
76	285	360	135	129	205
102	285	380	162	158	235
133	380	490	193	179	295
152	380	530	218	200	315
204*	380	550	286	278	380


* the female coupling has 3 levers

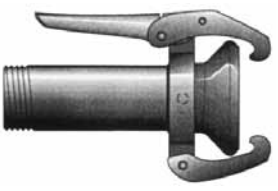
 KKG	code (EPDM)	code (NBR)	code (Viton)	code (silicone)	coupling size	d	D	t
	TF-1626407	TF-1626605	TF-1626928	-	38	54	70	8
	TF-1626415	TF-1626613	TF-1626936	TF-1626993	48	72	100	14
	TF-1626423	TF-1626621	TF-1626944	-	60	82	112	15
	TF-1626431	TF-1626639	TF-1626951	TF-1626995	76	100	130	15
	TF-1626449	TF-1626647	TF-1626969	TF-1626997	102	126	162	18
	TF-1626456	TF-1626654	TF-1626977	-	133	145	189	22
	TF-1626464	TF-1626662	TF-1626985	-	152	171	215	22
	-	TF-1626672	-	-	204	245	275	15

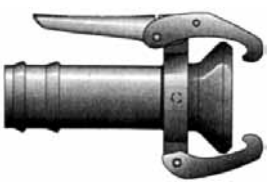
INDUSTRIAL FITTINGS - couplings

Lever couplings LAUX 42

Plug with male thread			
			
KVG			
connection size x thread	galvanized steel	aluminium	stainless steel
38 x 1.1/4	TF-1621000	-	TF-1631403
38 x 1.1/2	TF-1621002	-	TF-1631405
48 x 1.1/2	TF-1621010	TF-1632409	TF-1631407
48 x 2	TF-1621028	TF-1632418	TF-1631415
76 x 2	TF-1621051	TF-1632436	TF-1631423
76 x 2.1/2	TF-1621069	TF-1632445	TF-1631431
76 x 3	TF-1621077	TF-1632454	TF-1631449
102 x 3	TF-1621081	TF-1632461	TF-1631456
102 x 4	TF-1621085	TF-1632463	TF-1631458
133 x 5	TF-1621093	-	TF-1631461
152 x 4	-	TF-1632476	-
152 x 6	TF-1621101	-	TF-1631470


Plug with hose tail			
			
KVS			
connection size x hose tail size	galvanized steel	aluminium	stainless steel
38 x 32	-	-	TF-1631700
38 x 38	TF-1621606	-	TF-1631702
48 x 38	TF-1621614	TF-1632809	TF-1631704
48 x 48	TF-1621622	TF-1632818	TF-1631712
48 x 61	-	-	TF-1631720
76 x 48	TF-1621655	TF-1632845	TF-1631738
76 x 61	TF-1621663	TF-1632854	TF-1631746
76 x 74	TF-1621670	TF-1632861	-
76 x 76	TF-1621671	TF-1632863	TF-1631753
102 x 74	TF-1621672	TF-1632864	-
102 x 76	TF-1621673	TF-1632865	-
102 x 90	TF-1621675	TF-1632867	-
102 x 100	TF-1621689	TF-1632872	TF-1631761
133 x 125	TF-1621697	TF-1632881	TF-1631769
152 x 148	TF-1621705	TF-1632890	TF-1631777
204 x 198	TF-1621715	-	TF-1631785

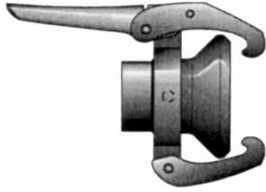
Socket with male thread			
			
KMG			
connection size x thread	galvanized steel	aluminium	stainless steel
38 x 1.1/4	TF-1621194	-	TF-1631502
38 x 1.1/2	TF-1621200	-	TF-1631504
48 x 1.1/2	TF-1621218	TF-1632509	TF-1631506
48 x 2	TF-1621226	TF-1632518	TF-1631514
76 x 2	TF-1621259	TF-1632536	TF-1631522
76 x 2.1/2	TF-1621267	TF-1632545	TF-1631530
76 x 3	TF-1621275	TF-1632554	TF-1631548
102 x 3	TF-1621279	TF-1632561	TF-1631554
102 x 4	TF-1621283	TF-1632563	TF-1631556
133 x 5	TF-1621291	-	TF-1631562
152 x 4	-	TF-1632576	-
152 x 6	TF-1621309	-	TF-1631570

Socket with hose tail			
			
KMS			
connection size x hose tail size	galvanized steel	aluminium	stainless steel
38 x 32	-	-	TF-1631800
38 x 38	TF-1621804	-	TF-1631801
48 x 38	TF-1621812	TF-1632909	TF-1631803
48 x 48	TF-1621820	TF-1632918	TF-1631811
48 x 61	-	-	TF-1631829
76 x 48	TF-1621853	TF-1632945	TF-1631837
76 x 61	TF-1621861	TF-1632954	TF-1631845
76 x 74	TF-1621878	TF-1632961	-
76 x 76	TF-1621879	TF-1632963	TF-1631852
102 x 74	TF-1621880	TF-1632964	-
102 x 76	TF-1621881	TF-1632965	-
102 x 90	TF-1621883	TF-1632967	-
102 x 100	TF-1621887	TF-1632972	TF-1631860
133 x 125	TF-1621895	TF-1632981	TF-1631868
152 x 148	TF-1621903	TF-1632990	TF-1631876
204 x 198	TF-1621915	-	TF-1631884


INDUSTRIAL FITTINGS - couplings


Lever couplings LAUX 42

Plug with welding end			
			
KKV			
connection size x welding end	galvanized steel*	aluminium	stainless steel
38 x 38	TF-1621408	-	TF-1631603
38 x 42	TF-1621410	-	-
48 x 50	TF-1621416	TF-1632609	TF-1631605
48 x 60	TF-1621418	-	-
76 x 60	TF-1621429	-	TF-1631611
76 x 76	TF-1621432	TF-1632627	TF-1631613
76 x 89	TF-1621434	-	TF-1631617
102 x 102	TF-1621440	TF-1632636	TF-1631621
102 x 114	TF-1621442	-	TF-1631623
133 x 127	-	TF-1632645	TF-1631629
133 x 133	TF-1621457	-	-
133 x 139	TF-1621459	-	-
152 x 152	TF-1621465	TF-1632654	TF-1631637
152 x 168	TF-1621467	-	-
204 x 204	TF-1621475	-	TF-1631639
204 x 219	TF-1621477	-	-

Socket with welding end			
			
KKM			
connection size x welding end	galvanized steel*	aluminium	stainless steel
38 x 38	TF-1621507	-	TF-1631668
38 x 42	TF-1621509	-	-
48 x 50	TF-1621515	TF-1632709	TF-1631670
48 x 60	TF-1621517	-	-
76 x 60	TF-1621528	-	TF-1631685
76 x 76	TF-1621531	TF-1632727	TF-1631688
76 x 84	-	-	TF-1631690
76 x 89	TF-1621533	-	TF-1631692
102 x 102	TF-1621549	TF-1632736	TF-1631696
102 x 114	TF-1621551	-	TF-1631697
133 x 127	-	TF-1632745	TF-1631698
133 x 133	TF-1621556	-	-
133 x 139	TF-1621558	-	-
152 x 152	TF-1621564	TF-1632754	TF-1631699
152 x 168	TF-1621566	-	-
204 x 204	TF-1621575	-	TF-1631701
204 x 219	TF-1621577	-	-

* - non-galvanized version also available.

Plug end cap			
			
KXM			
size [mm]	galvanized steel	aluminium	stainless steel
38	-	-	TF-1630977
48	TF-1622513	TF-1633309	TF-1630979
76	TF-1622539	TF-1633327	TF-1630987
102	TF-1622547	TF-1633336	TF-1630995
133	TF-1622554	TF-1633345	TF-1630997
152	TF-1622562	TF-1633354	TF-1630999
204	TF-1622575	-	TF-1631000

Socket end cap			
			
KXV			
size [mm]	galvanized steel	aluminium	stainless steel
38	TF-1622406	-	TF-1630902
48	TF-1622414	TF-1633209	TF-1630904
76	TF-1622430	TF-1633227	TF-1630912
102	TF-1622448	TF-1633236	TF-1630920
133	TF-1622455	TF-1633245	TF-1630928
152	TF-1622463	TF-1633254	TF-1630936
204	TF-1622475	-	TF-1630944

INDUSTRIAL FITTINGS - couplings

Lever couplings PERROT

PERROT coupling system is the most popular system of flexible connection in Poland. It was designed for irrigation purposes, yet over the last decades it has been used for many other applications.

PERROT couplings (pipes and fittings) are widely used in farming, gardening, industry, construction, road and tunnel building, groundwater drainage, sewage treatment plants, wastewater disposal and environmental engineering.

Advantages of the system:

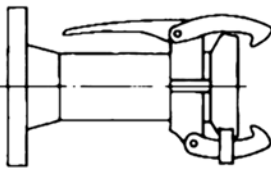
- easy, one hand connection of the couplings,
- wide range of pipe diameters (50, 70, 108, 133, 159 mm),
- angular deflection of the coupling up to 15° to both sides,
- complete leak tightness even in contaminated couplings.

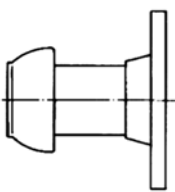
PERROT couplings are made of galvanized steel as a standard.

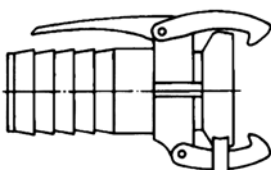
Couplings made of acid-resistant steel (AISI 316L) are available in two material versions: SUPRA and OPTIMA.

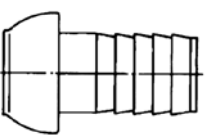
- SUPRA - female and male connecting parts made of AISI 316L steel, levers of the female part made of galvanized steel.
- OPTIMA - female and male connecting parts made of AISI 316L steel.

PERROT couplings made of acid resistant steel can be used to transfer e.g. alcohol, wine, vegetable oil, beverages, acids, lyes, petrochemical products, chemicals. Working pressure up to 10 bar.

Socket with flange PN10		
		
KMF		
connection size x flange DN [mm]	galvanized steel	AISI 316L (OPTIMA)
50 x 50	HC-KMF-01	HC-KMF-01-SS
70 x 65	HC-KMF-02	HC-KMF-02-SS
89 x 80	HC-KMF-03	HC-KMF-03-SS
108 x 100	HC-KMF-04	HC-KMF-04-SS
133 x 125	HC-KMF-05	HC-KMF-05-SS

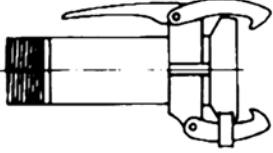
Plug with flange PN10		
		
KVF		
connection size x flange DN [mm]	galvanized steel	AISI 316L (OPTIMA)
50 x 50	HC-KVF-01	HC-KVF-01-SS
70 x 65	HC-KVF-02	HC-KVF-02-SS
89 x 80	HC-KVF-03	HC-KVF-03-SS
108 x 100	HC-KVF-04	HC-KVF-04-SS
133 x 125	HC-KVF-05	HC-KVF-05-SS
159 x 150	HC-KVF-06	HC-KVF-06-SS

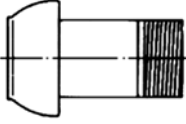
Socket with hose tail		
		
KMS		
connection size x hose tail size [mm]	galvanized steel	AISI 316L (OPTIMA)
50 X 50	HC-KMS-01	HC-KMS-01-SS
70 X 70	HC-KMS-02	HC-KMS-02-SS
89 X 75	HC-KMS-03	HC-KMS-03-SS
89 X 80	HC-KMS-04	HC-KMS-04-SS
89 X 90	HC-KMS-05	HC-KMS-05-SS
108 X 75	HC-KMS-06	-
108 X 100	HC-KMS-07	HC-KMS-07-SS
108 X 110	HC-KMS-08	HC-KMS-08-SS
133 X 125	HC-KMS-09	HC-KMS-09-SS
159 X 150	HC-KMS-10	HC-KMS-10-SS

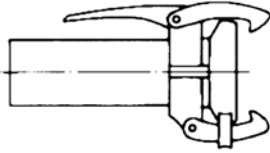
Plug with hose tail		
		
KVS		
connection size x hose tail size [mm]	galvanized steel	AISI 316L (OPTIMA)
50 x 50	HC-KVS-01	HC-KVS-01-SS
70 x 70	HC-KVS-02	HC-KVS-02-SS
89 x 75	HC-KVS-03	HC-KVS-03-SS
89 x 80	HC-KVS-04	HC-KVS-04-SS
89 x 90	HC-KVS-05	HC-KVS-05-SS
108 x 75	HC-KVS-06	-
108 x 100	HC-KVS-07	HC-KVS-07-SS
108 x 110	HC-KVS-08	HC-KVS-08-SS
133 x 125	HC-KVS-09	HC-KVS-09-SS
159 x 150	HC-KVS-10	HC-KVS-10-SS

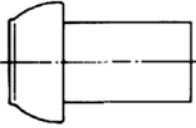
INDUSTRIAL FITTINGS - couplings

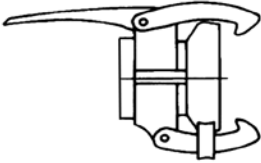
Lever couplings PERROT


Socket with male thread		
		
KMG		
connection size x hose tail size [mm]	galvanized steel	AISI 316L (OPTIMA)
50 x 1.1/2"	HC-KMG-01	HC-KMG-01-SS
50 x 2"	HC-KMG-02	HC-KMG-02-SS
70 x 2"	HC-KMG-03	HC-KMG-03-SS
70 x 2.1/2"	HC-KMG-04	HC-KMG-04-SS
89 x 3"	HC-KMG-05	HC-KMG-05-SS
108 x 3"	HC-KMG-06	-
108 x 4"	HC-KMG-07	HC-KMG-07-SS
133 x 5"	HC-KMG-08	HC-KMG-08-SS
159 x 6"	HC-KMG-09	HC-KMG-09-SS

Plug with male thread		
		
KVG		
connection size x hose tail size [mm]	galvanized steel	AISI 316L (OPTIMA)
50 x 1.1/2"	HC-KVG-01	HC-KVG-01-SS
50 x 2"	HC-KVG-02	HC-KVG-02-SS
70 x 2"	HC-KVG-03	HC-KVG-03-SS
70 x 2.1/2"	HC-KVG-04	HC-KVG-04-SS
89 x 3"	HC-KVG-05	HC-KVG-05-SS
108 x 3"	HC-KVG-06	-
108 x 4"	HC-KVG-07	HC-KVG-07-SS
133 x 5"	HC-KVG-08	HC-KVG-08-SS
159 x 6"	HC-KVG-09	HC-KVG-09-SS

Socket with welding end		
		
KMR		
connection size [mm]	galvanized steel	AISI 316L (OPTIMA)
50	HC-KMR-01	HC-KMR-01-SS
70	HC-KMR-02	HC-KMR-02-SS
89	HC-KMR-03	HC-KMR-03-SS
108	HC-KMR-04	HC-KMR-04-SS
133	HC-KMR-05	HC-KMR-05-SS
159	HC-KMR-06	HC-KMR-06-SS

Plug with welding end		
		
KVR		
connection size [mm]	galvanized steel	AISI 316L (OPTIMA)
50	HC-KVR-01	HC-KVR-01-SS
70	HC-KVR-02	HC-KVR-02-SS
89	HC-KVR-03	HC-KVR-03-SS
108	HC-KVR-04	HC-KVR-04-SS
133	HC-KVR-05	HC-KVR-05-SS
159	HC-KVR-06	HC-KVR-06-SS

Plug end cap		
		
KMX		
connection size [mm]	galvanized steel	AISI 316L (OPTIMA)
50	HC-KMX-01	HC-KMX-01-SS
70	HC-KMX-02	HC-KMX-02-SS
89	HC-KMX-03	HC-KMX-03-SS
108	HC-KMX-04	HC-KMX-04-SS
133	HC-KMX-05	HC-KMX-05-SS
159	HC-KMX-06	HC-KMX-06-SS

Socket end cap		
		
KVX		
connection size [mm]	galvanized steel	AISI 316L (OPTIMA)
50	HC-KVX-01	HC-KVX-01-SS
70	HC-KVX-02	HC-KVX-02-SS
89	HC-KVX-03	HC-KVX-03-SS
108	HC-KVX-04	HC-KVX-04-SS
133	HC-KVX-05	HC-KVX-05-SS
159	HC-KVX-06	HC-KVX-06-SS

INDUSTRIAL FITTINGS - couplings

Lever couplings KLAUDIA





Material: Aluminium
Seal: EPDM
Working press.: Up to 8 bar (water), 3 bar (air)
Working temp.: From -25°C up to +60°C

KLAUDIA couplings are widely used for pneumatic unloading of cement railcars. Other application: IGE wellpoint system (dewatering installation), farms, water carts, sprinkler irrigation systems, construction and industry. The design of KLAUDIA coupling is similar to PERROT coupling, but they are not interchangeable.

Main advantages of the system:

- easy, one hand connection of the couplings,
- wide range of pipe diameters (51, 70, 89, 108, 133 mm),
- angular deflection of the coupling up to 15° to both sides,
- complete leak tightness also of dirty couplings.

Socket with male thread		
		
KMG		
code	size [mm]	thread size [inch]
KL-KMG-051-200	51	2
KL-KMG-051-250	51	2.1/2
KL-KMG-051-300	51	3
KL-KMG-051-400	51	4
KL-KMG-070-200	70	2
KL-KMG-070-250	70	2.1/2
KL-KMG-070-300	70	3
KL-KMG-070-400	70	4
KL-KMG-089-200	89	2
KL-KMG-089-250	89	2.1/2
KL-KMG-089-300	89	3
KL-KMG-089-400	89	4
KL-KMG-108-200	108	2
KL-KMG-108-250	108	2.1/2
KL-KMG-108-300	108	3
KL-KMG-108-400	108	4
KL-KMG-133-200	133	2
KL-KMG-133-250	133	2.1/2
KL-KMG-133-300	133	3
KL-KMG-133-400	133	4

Plug with male thread		
		
KVG		
code	size [mm]	thread size [inch]
KL-KVG-051-200	51	2
KL-KVG-051-250	51	2.1/2
KL-KVG-051-300	51	3
KL-KVG-051-400	51	4
KL-KVG-070-200	70	2
KL-KVG-070-250	70	2.1/2
KL-KVG-070-300	70	3
KL-KVG-070-400	70	4
KL-KVG-089-200	89	2
KL-KVG-089-250	89	2.1/2
KL-KVG-089-300	89	3
KL-KVG-089-400	89	4
KL-KVG-108-200	108	2
KL-KVG-108-250	108	2.1/2
KL-KVG-108-300	108	3
KL-KVG-108-400	108	4
KL-KVG-133-200	133	2
KL-KVG-133-250	133	2.1/2
KL-KVG-133-300	133	3
KL-KVG-133-400	133	4

INDUSTRIAL FITTINGS - couplings

Lever couplings KLAUDIA

Socket with hose tail



KMS

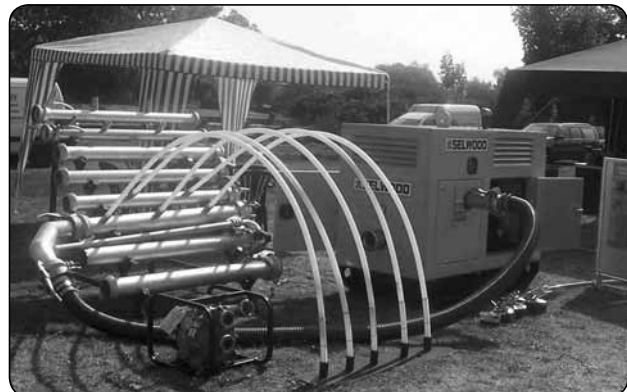
code	size [mm]	hose I.D. [mm]
KL-KMS-051-050	51	50
KL-KMS-051-075	51	75
KL-KMS-051-080	51	80
KL-KMS-051-089	51	89
KL-KMS-051-100	51	100
KL-KMS-051-110	51	110
KL-KMS-070-050	70	50
KL-KMS-070-075	70	75
KL-KMS-070-080	70	80
KL-KMS-070-089	70	89
KL-KMS-070-100	70	100
KL-KMS-070-110	70	110
KL-KMS-089-050	89	50
KL-KMS-089-075	89	75
KL-KMS-089-080	89	80
KL-KMS-089-089	89	89
KL-KMS-089-100	89	100
KL-KMS-089-110	89	110
KL-KMS-108-050	108	50
KL-KMS-108-075	108	75
KL-KMS-108-080	108	80
KL-KMS-108-089	108	89
KL-KMS-108-100	108	100
KL-KMS-108-110	108	110
KL-KMS-133-050	133	50
KL-KMS-133-075	133	75
KL-KMS-133-080	133	80
KL-KMS-133-089	133	89
KL-KMS-133-100	133	100
KL-KMS-133-110	133	110

Plug with hose tail




KVS


code	size [mm]	hose I.D. [mm]
KL-KVS-051-050	51	50
KL-KVS-051-075	51	75
KL-KVS-051-080	51	80
KL-KVS-051-089	51	89
KL-KVS-051-100	51	100
KL-KVS-051-110	51	110
KL-KVS-070-050	70	50
KL-KVS-070-075	70	75
KL-KVS-070-080	70	80
KL-KVS-070-089	70	89
KL-KVS-070-100	70	100
KL-KVS-070-110	70	110
KL-KVS-089-050	89	50
KL-KVS-089-075	89	75
KL-KVS-089-080	89	80
KL-KVS-089-089	89	89
KL-KVS-089-100	89	100
KL-KVS-089-110	89	110
KL-KVS-108-050	108	50
KL-KVS-108-075	108	75
KL-KVS-108-080	108	80
KL-KVS-108-089	108	89
KL-KVS-108-100	108	100
KL-KVS-108-110	108	110
KL-KVS-133-050	133	50
KL-KVS-133-075	133	75
KL-KVS-133-080	133	80
KL-KVS-133-089	133	89
KL-KVS-133-100	133	100
KL-KVS-133-110	133	110





INDUSTRIAL FITTINGS - couplings


Lever couplings KLAUDIA


Socket with flange PN10		
		
KMF		
code	size [mm]	flange DN
KL-KMF-051-050	51	50
KL-KMF-051-080	51	80
KL-KMF-070-050	70	50
KL-KMF-070-080	70	80
KL-KMF-089-080	89	80
KL-KMF-089-100	89	100
KL-KMF-108-080	108	80
KL-KMF-108-100	108	100
KL-KMF-133-100	133	100
KL-KMF-133-150	133	150

Plug with flange PN10		
		
KVF		
code	size [mm]	flange DN
KL-KVF-051-050	51	50
KL-KVF-051-080	51	80
KL-KVF-070-050	70	50
KL-KVF-070-080	70	80
KL-KVF-089-080	89	80
KL-KVF-089-100	89	100
KL-KVF-108-080	108	80
KL-KVF-108-100	108	100
KL-KVF-133-100	133	100
KL-KVF-133-150	133	150

Plug end cap	
	
KMX	
code	size [mm]
KL-KMX-051	51
KL-KMX-070	70
KL-KMX-089	89
KL-KMX-108	108
KL-KMX-133	133

Socket end cap	
	
KVX	
code	size [mm]
KL-KVX-051	51
KL-KVX-070	70
KL-KVX-089	89
KL-KVX-108	108
KL-KVX-133	133

Socket with throttle valve and hose tail		
		
KPMS		
code	size [mm]	hose I.D. [mm]
KL-KMPS-089-050	89	50
KL-KMPS-089-075	89	75
KL-KMPS-089-080	89	80
KL-KMPS-089-089	89	89
KL-KMPS-089-100	89	100
KL-KMPS-089-110	89	110

Socket seal	
	
KMU	
code	size [mm]
KL-KMU-051	51
KL-KMU-070	70
KL-KMU-089	89
KL-KMU-108	108
KL-KMU-133	133


INDUSTRIAL FITTINGS - couplings

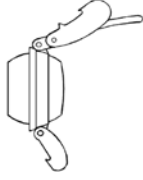
Lever couplings BAUER

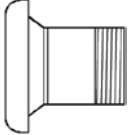


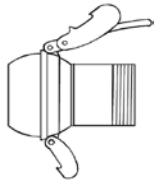
Material: Galvanized steel
Seal: NR-SBR
Working press.: 20 bar - sizes up to 89 mm
 12 bar - sizes above 89 mm
Working temp.: From -20°C up to +50°C

BAUER couplings (pipes and fittings) are widely used in farming, gardening, industry, construction, road and tunnel building, groundwater drainage, sewage treatment plants, wastewater disposal and environmental engineering. Coupling design allows angular deflection of the connected coupling (max. 30° up to 108 mm, 20° in bigger sizes). Available in a wide pipe diameter range (50, 76, 89, 108, 133, 159, 194 mm).

Plug end cap	
	
B.5B	
code	size
OM-B5B-050-000	50
OM-B5B-076-000	76
OM-B5B-089-000	89
OM-B5B-108-000	108
OM-B5B-133-000	133
OM-B5B-159-000	159
OM-B5B-194-000	194

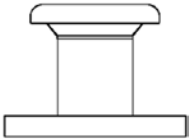
Socket end cap	
	
B.6B	
code	size
OM-B6B-050-000	50
OM-B6B-076-000	76
OM-B6B-089-000	89
OM-B6B-108-000	108
OM-B6B-133-000	133
OM-B6B-159-000	159
OM-B6B-194-000	194

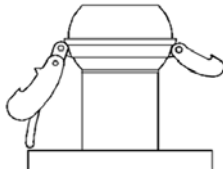
Socket with male thread		
		
B.14		
code	size	thread size [inch]
OM-B14-050-150	50	1.1/2
OM-B14-050-200	50	2
OM-B14-076-250	76	2.1/2
OM-B14-076-300	76	3
OM-B14-089-300	89	3
OM-B14-108-400	108	4
OM-B14-133-500	133	5
OM-B14-159-600	159	6
OM-B14-194-800	194	8

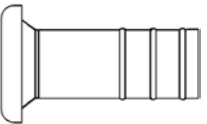
Plug with male thread		
		
B.15		
code	size	thread size [inch]
OM-B15-050-150	50	1.1/2
OM-B15-050-200	50	2
OM-B15-076-250	76	2.1/2
OM-B15-076-300	76	3
OM-B15-089-300	89	3
OM-B15-108-400	108	4
OM-B15-133-500	133	5
OM-B15-159-600	159	6
OM-B15-194-800	194	8

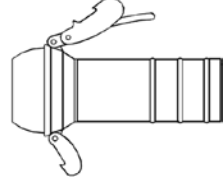
INDUSTRIAL FITTINGS - couplings

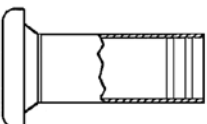
Lever couplings BAUER

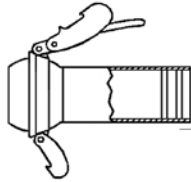
Socket with flange PN10		
		
B.45		
code	size	flange DN
OM-B45-050-040	50	40
OM-B45-076-065	76	65
OM-B45-089-080	89	80
OM-B45-108-100	108	100
OM-B45-133-125	133	125
OM-B45-159-150	159	150
OM-B45-194-200	194	200

Plug with flange PN10		
		
B.46		
code	size	flange DN
OM-B46-050-040	50	40
OM-B46-076-065	76	65
OM-B46-089-080	89	80
OM-B46-108-100	108	100
OM-B46-133-125	133	125
OM-B46-159-150	159	150
OM-B46-194-200	194	200

Socket with hose tail		
		
B.7		
code	size	hose I.D. [mm]
OM-B7-050-050	50	50
OM-B7-076-063	76	63
OM-B7-076-076	76	76
OM-B7-089-076	89	76
OM-B7-089-089	89	89
OM-B7-108-100	108	100
OM-B7-108-108	108	108
OM-B7-133-125	133	125
OM-B7-159-150	159	150
OM-B7-159-159	159	159
OM-B7-194-200	194	200


Plug with hose tail		
		
B.8		
code	size	hose I.D. [mm]
OM-B8-050-050	50	50
OM-B8-076-063	76	63
OM-B8-076-076	76	76
OM-B8-089-076	89	76
OM-B8-089-089	89	89
OM-B8-108-100	108	100
OM-B8-108-108	108	108
OM-B8-133-125	133	125
OM-B8-159-150	159	150
OM-B8-159-159	159	159
OM-B8-194-200	194	200

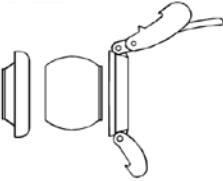
Socket for PE pipe		
		
B.51		
code	size	pipe diameter [mm]
OM-B51-050-063	50	63
OM-B51-076-063	76	63
OM-B51-089-110	89	110
OM-B51-108-110	108	110

Plug for PE pipe		
		
B.52		
code	size	pipe diameter [mm]
OM-B52-050-063	50	63
OM-B52-076-063	76	63
OM-B52-089-110	89	110
OM-B52-108-110	108	110

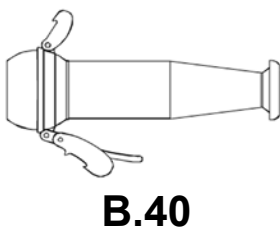
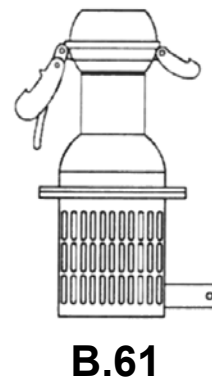
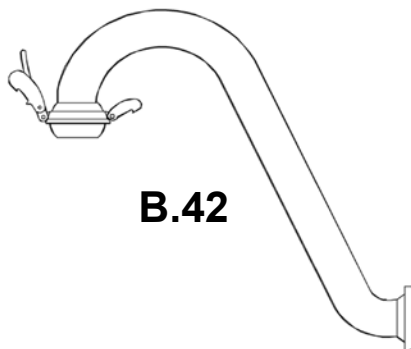
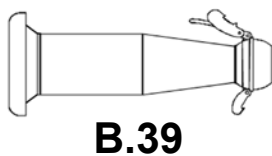
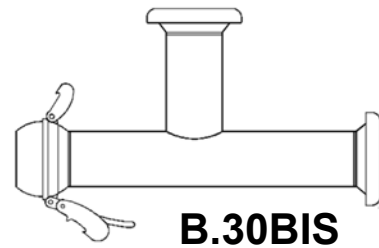
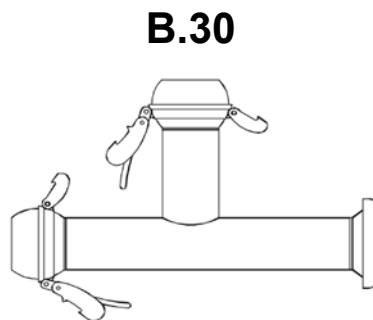
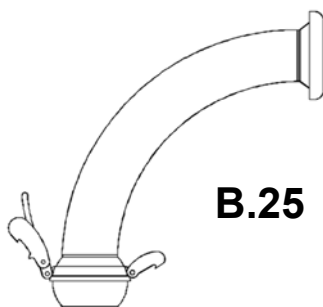
INDUSTRIAL FITTINGS - couplings

Lever couplings BAUER

Socket seal	
	
B.3	
code	size
OM-B3-050-000	50
OM-B3-076-000	76
OM-B3-089-000	89
OM-B3-108-000	108
OM-B3-133-000	133
OM-B3-159-000	159
OM-B3-194-000	194

Complete black steel coupling	
	
B.1	
code	size
OM-B1-050-000	50
OM-B1-076-000	76
OM-B1-089-000	89
OM-B1-108-000	108
OM-B1-133-000	133
OM-B1-159-000	159
OM-B1-194-000	194

Many other elements of BAUER system are also available. For more information, please contact Sales or Technical Department of TUBES INTERNATIONAL®.



INDUSTRIAL FITTINGS - couplings

Lever couplings FERRARI



Material: Galvanized steel
Seal: NR-SBR
Working press.: 10 bar - sizes 48, 60 mm
 9 bar - size 80 mm
 8 bar - size 100 mm
 7 bar - size 120 mm
 6 bar - size 150 mm
Working temp.: From -20°C up to +50°C

FERRARI couplings (pipes and fittings) are widely used in farming, gardening, industry, construction, road and tunnel building, groundwater drainage, sewage treatment plants, wastewater disposal and environmental engineering. Coupling design allows angular deflection of the connected coupling (max. 26° in small sizes, 20° in big sizes). Available in a wide pipe diameter range (48, 60, 80, 100, 120, 150 mm), as a version with three hooks (for higher working pressure) and made of AISI 304 steel.

Plug end cap	
F.5B	
code	size
OM-F5B-048-000	48
OM-F5B-060-000	60
OM-F5B-080-000	80
OM-F5B-100-000	100
OM-F5B-120-000	120
OM-F5B-150-000	150

Socket end cap	
F.6B	
code	size
OM-F6B-048-000	48
OM-F6B-060-000	60
OM-F6B-080-000	80
OM-F6B-100-000	100
OM-F6B-120-000	120
OM-F6B-150-000	150

Reducing socket with hose tail		
F.10		
code	size	hose I.D. [mm]
OM-F10-060-050	60	50
OM-F10-060-063	60	63
OM-F10-080-060	80	60
OM-F10-080-076	80	76
OM-F10-100-080	100	80
OM-F10-100-090	100	90
OM-F10-100-102	100	102
OM-F10-120-100	120	100
OM-F10-120-125	120	125

Reducing plug with hose tail		
F.11		
code	size	hose I.D. [mm]
OM-F11-060-050	60	50
OM-F11-060-063	60	63
OM-F11-080-060	80	60
OM-F11-080-076	80	76
OM-F11-100-080	100	80
OM-F11-100-090	100	90
OM-F11-100-102	100	102
OM-F11-120-100	120	100
OM-F11-120-125	120	125

INDUSTRIAL FITTINGS - couplings

Lever couplings FERRARI

Socket with hose tail		
F.7		
code	size	hose I.D. [mm]
OM-F7-048-050	48	50
OM-F7-060-060	60	60
OM-F7-080-080	80	80
OM-F7-100-100	100	100
OM-F7-120-120	120	120
OM-F7-150-150	150	150

Plug with hose tail		
F.8		
code	size	hose I.D. [mm]
OM-F8-048-050	48	50
OM-F8-060-060	60	60
OM-F8-080-080	80	80
OM-F8-100-100	100	100
OM-F8-120-120	120	120
OM-F8-150-150	150	150

Socket with male thread		
F.14		
code	size	thread size [inch]
OM-F14-048-150	48	1.1/2
OM-F14-060-200	60	2
OM-F14-080-300	80	3
OM-F14-100-250	100	2.1/2
OM-F14-100-400	100	4
OM-F14-120-250	120	2.1/2
OM-F14-120-500	120	5
OM-F14-150-600	150	6

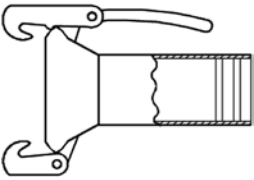
Plug with male thread		
F.15		
code	size	thread size [inch]
OM-F15-048-150	48	1.1/2
OM-F15-060-200	60	2
OM-F15-080-300	80	3
OM-F15-100-250	100	2.1/2
OM-F15-100-400	100	4
OM-F15-120-250	120	2.1/2
OM-F15-120-500	120	5
OM-F15-150-600	150	6

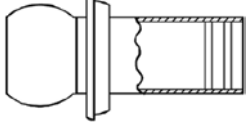
Socket with flange PN10		
F.45		
code	size	flange DN
OM-F45-060-065	60	65
OM-F45-080-080	80	80
OM-F45-100-100	100	100
OM-F45-120-125	120	125
OM-F45-150-150	150	150

Plug with flange PN10		
F.46		
code	size	flange DN
OM-F46-060-065	60	65
OM-F46-080-080	80	80
OM-F46-100-100	100	100
OM-F46-120-125	120	125
OM-F46-150-150	150	150

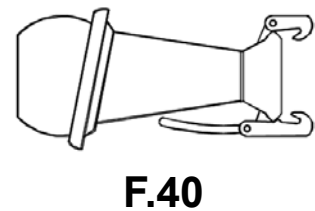
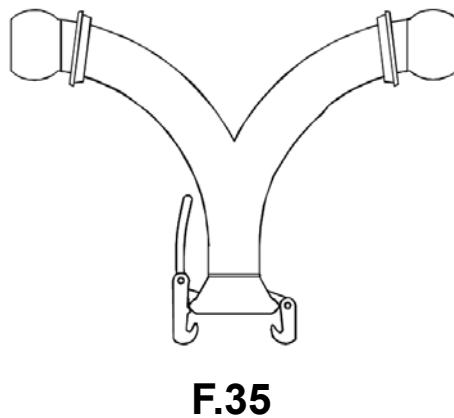
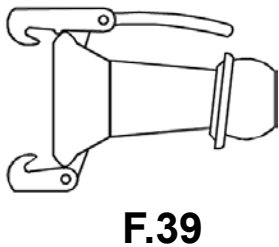
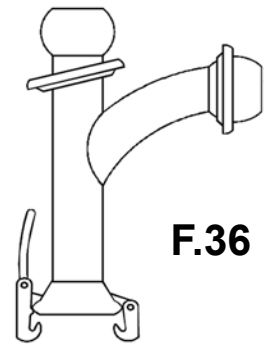
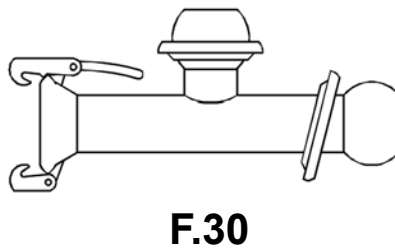
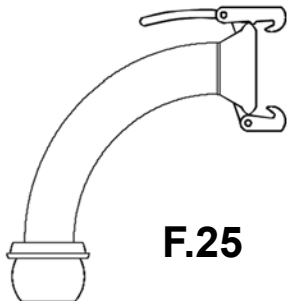
INDUSTRIAL FITTINGS - couplings

Lever couplings FERRARI

Socket for PE pipe		
		
F. 51		
code	size	pipe diameter [mm]
OM-F51-060-050	60	50
OM-F51-060-063	60	63
OM-F51-080-075	80	75
OM-F51-080-090	80	90
OM-F51-100-090	100	90
OM-F51-100-110	100	110
OM-F51-120-110	120	110

Plug for PE pipe		
		
F.52		
code	size	pipe diameter [mm]
OM-F52-060-050	60	50
OM-F52-060-063	60	63
OM-F52-080-075	80	75
OM-F52-080-090	80	90
OM-F52-100-090	100	90
OM-F52-100-110	100	110
OM-F52-120-110	120	110

Many other elements of FERRARI system are also available. For more information, please contact Sales or Technical Department of TUBES INTERNATIONAL®.



INDUSTRIAL FITTINGS - couplings

Lever couplings ANFOR



Material: Galvanized steel
Seal: NR-SBR
Working press.: 19 bar - size 60 mm
 16 bar - size 80 mm
 14 bar - size 100 mm
 13 bar - size 120 mm
 12 bar - size 150 mm
 6 bar - size 200 mm
 5 bar - sizes 250, 300, 400 mm
Working temp.: From -20°C up to +50°C

ANFOR couplings (pipes and fittings) are widely used in farming, gardening, industry, construction, road and tunnel building, groundwater drainage, sewage treatment plants, wastewater disposal and environmental engineering. Coupling design allows angular deflection of the connected coupling (max. 22° in small sizes, 16° in big sizes). Available in a wide pipe diameter range (60, 80, 100, 120, 150, 200, 250, 300, 400 mm) and as a version with three hooks (for higher working pressure).

Plug end cap	
A.5B	
code	size
OM-A5B-060-000	60
OM-A5B-080-000	80
OM-A5B-100-000	100
OM-A5B-120-000	120
OM-A5B-150-000	150
OM-A5B-200-000	200
OM-A5B-250-000	250
OM-A5B-300-000	300

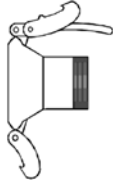
Socket end cap	
A.6B	
code	size
OM-A6B-060-000	60
OM-A6B-080-000	80
OM-A6B-100-000	100
OM-A6B-120-000	120
OM-A6B-150-000	150
OM-A6B-200-000	200
OM-A6B-250-000	250
OM-A6B-300-000	300

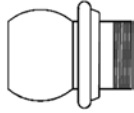
Socket with hose tail		
A.7		
code	size	hose I.D. [mm]
OM-A7-060-060	60	60
OM-A7-080-080	80	80
OM-A7-100-100	100	100
OM-A7-120-120	120	120
OM-A7-150-150	150	150
OM-A7-200-200	200	200
OM-A7-250-250	250	250
OM-A7-300-300	300	300
OM-A7-400-400	400	400

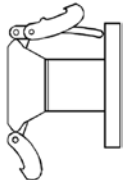
Plug with hose tail		
A.8		
code	size	hose I.D. [mm]
OM-A8-060-060	60	60
OM-A8-080-080	80	80
OM-A8-100-100	100	100
OM-A8-120-120	120	120
OM-A8-150-150	150	150
OM-A8-200-200	200	200
OM-A8-250-250	250	250
OM-A8-300-300	300	300
OM-A8-400-400	400	400

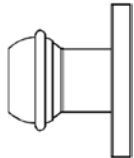
INDUSTRIAL FITTINGS - couplings

Lever couplings ANFOR

Socket with male thread		
		
A.14		
code	size	thread size [inch]
OM-A14-060-200	60	2
OM-A14-080-300	80	3
OM-A14-100-400	100	4
OM-A14-120-500	120	5
OM-A14-150-600	150	6
OM-A14-200-800	200	8

Plug with male thread		
		
A.15		
code	size	thread size [inch]
OM-A15-060-200	60	2
OM-A15-080-300	80	3
OM-A15-100-400	100	4
OM-A15-120-500	120	5
OM-A15-150-600	150	6
OM-A15-200-800	200	8

Socket with flange PN10		
		
A.45		
code	size	flange DN
OM-A45-060-065	60	65
OM-A45-080-080	80	80
OM-A45-100-100	100	100
OM-A45-120-125	120	125
OM-A45-150-150	150	150
OM-A45-200-200	200	200
OM-A45-250-250	250	250
OM-A45-300-300	300	300
OM-A45-400-400	400	400

Plug with flange PN10		
		
A.46		
code	size	flange DN
OM-A46-060-065	60	65
OM-A46-080-080	80	80
OM-A46-100-100	100	100
OM-A46-120-125	120	125
OM-A46-150-150	150	150
OM-A46-200-200	200	200
OM-A46-250-250	250	250
OM-A46-300-300	300	300
OM-A46-400-400	400	400

Many other elements of ANFOR system are also available. For more information, please contact Sales or Technical Department of TUBES INTERNATIONAL®.

